

NOTE: Read the entire instruction manual before you start installation and assembly.

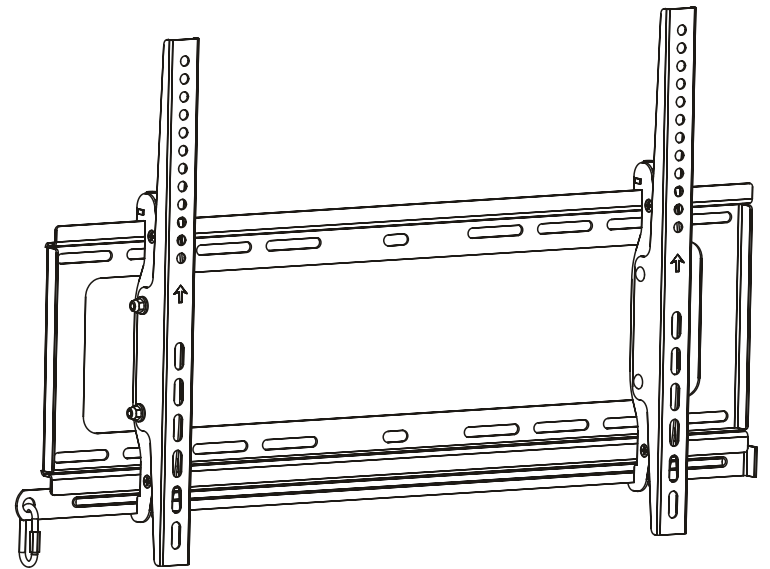
⚠ WARNING

- Do not begin the installation until you have read and understand all the instructions and warnings contained in this installation sheet. If you have any questions regarding any of the instructions or warnings, please contact your local distributor.
- This mounting bracket was designed to be installed and utilized ONLY as specified in this manual. Improper installation of this product may cause damage or serious injury.
- This product should only be installed by someone with good mechanical ability who has basic building experience and fully understands this manual.
- Make sure that the supporting surface will safely support the combined weight of the equipment and all attached hardware and components.
- If mounting to wood wall studs, make sure that mounting screws are anchored into the center of the studs. The use of a stud finder is highly recommended.
- Always use an assistant or mechanical lifting equipment to safely lift and position the equipment.
- Tighten screws firmly, but do not over tighten. Over tightening can cause damage to the items, This greatly reduces their holding power.
- This product is intended for indoor use only. Using this product outdoors could lead to product failure and personal injury.

ZUUM®

INSTALLATION MANUAL

Tilt Wall Mount



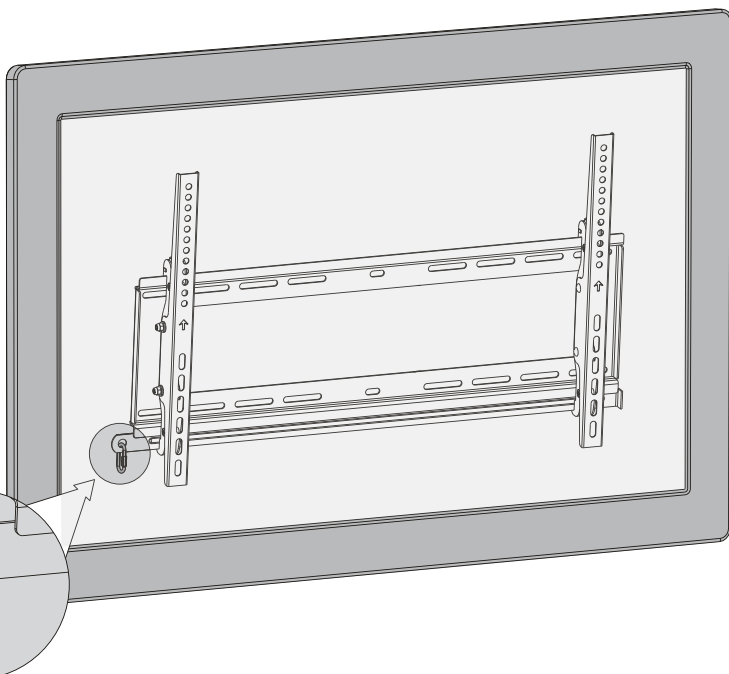
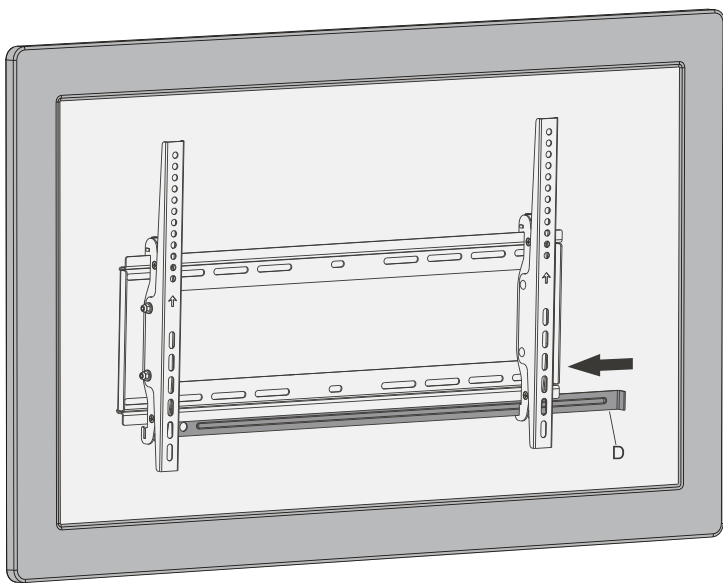
TL37-80

VESA Compatible
200x200 300x300 400x200
400x400 600x400

80"
MAX

68kg
(150lbs)
RATED

5



6

